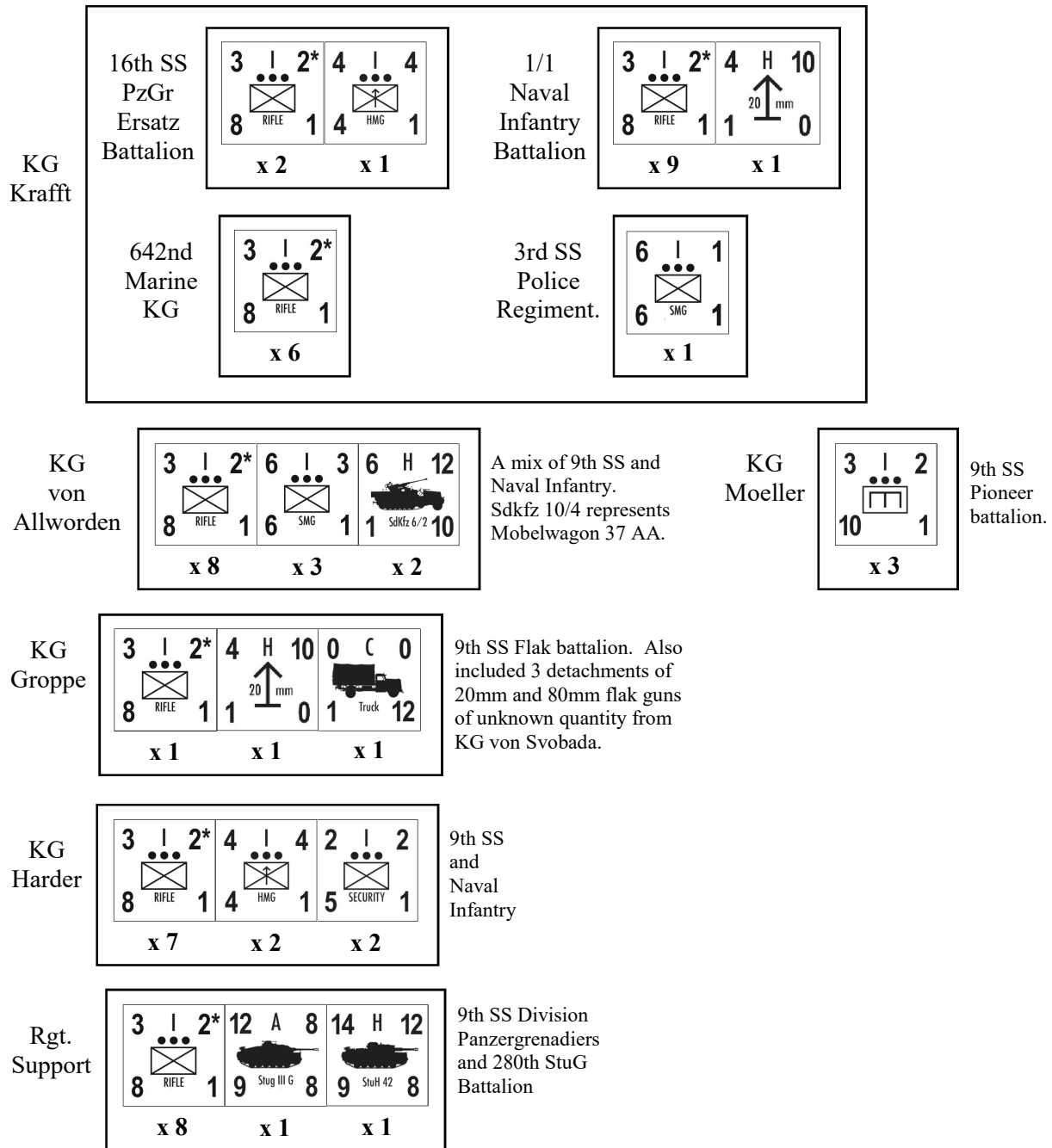


# Kampfgruppe Spindler

September 19, 1944



An expanded and revamped KG Spindler formed the defensive line to the west of Arnhem on Day 3. The British Airborne attacked this group with 4 battalions in the last push to break through and reinforce Frost's group at Arnhem. The Paras were nearly wiped out and went completely over to the defensive after this, with all the survivors hunkering down at Osterbeek.